

***tyromotion***

# SPACE REQUIREMENTS TYROMOTION DEVICES

---

**More informations here**

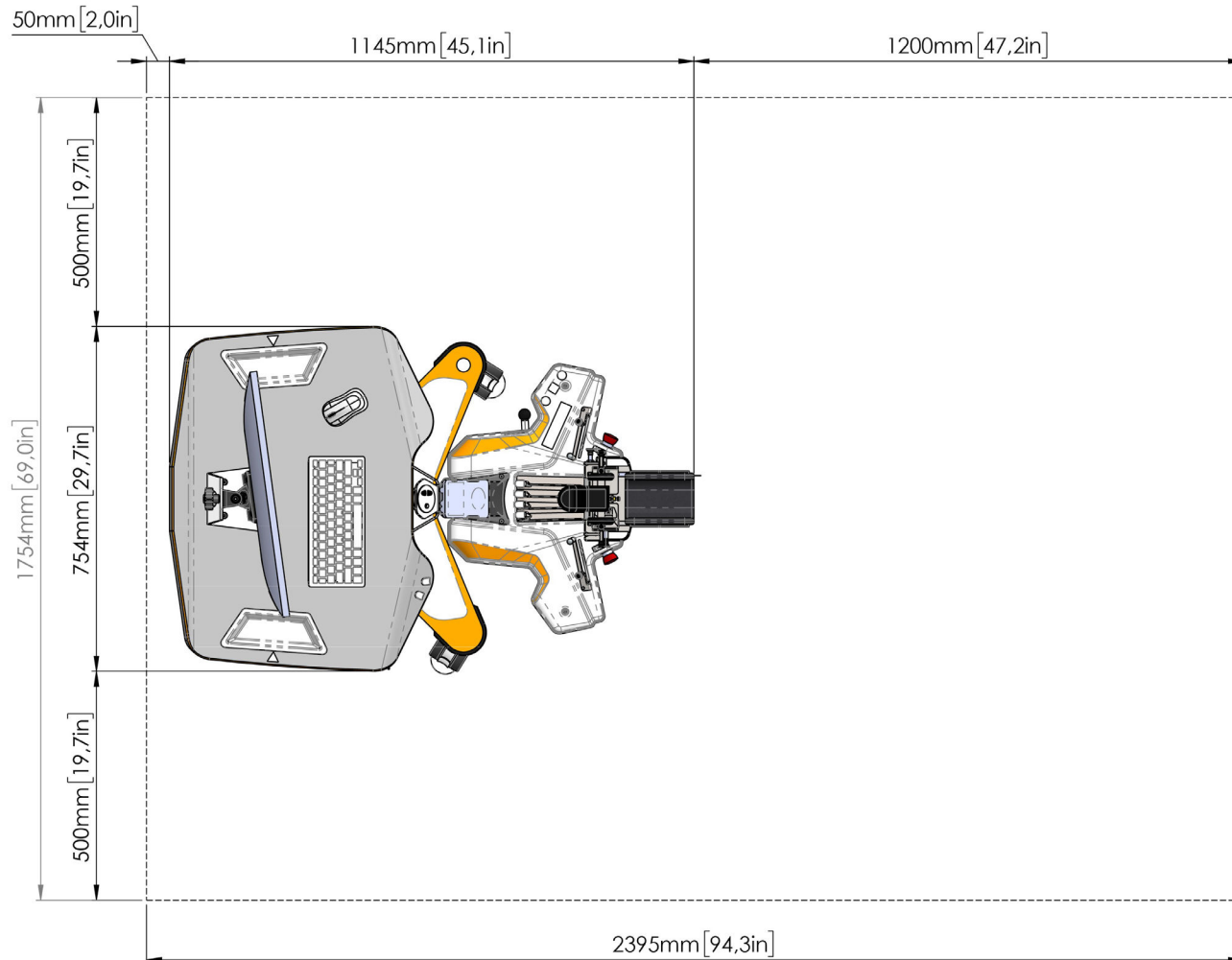
[www.tyromotion.com](http://www.tyromotion.com)



Please note: Length, width and area figures have been partially rounded to simplify imagination of spatial requirements.  
The exact dimensions can be taken from the respective graphic.

# AMADEO®

**tyromotion**



Required space for device:

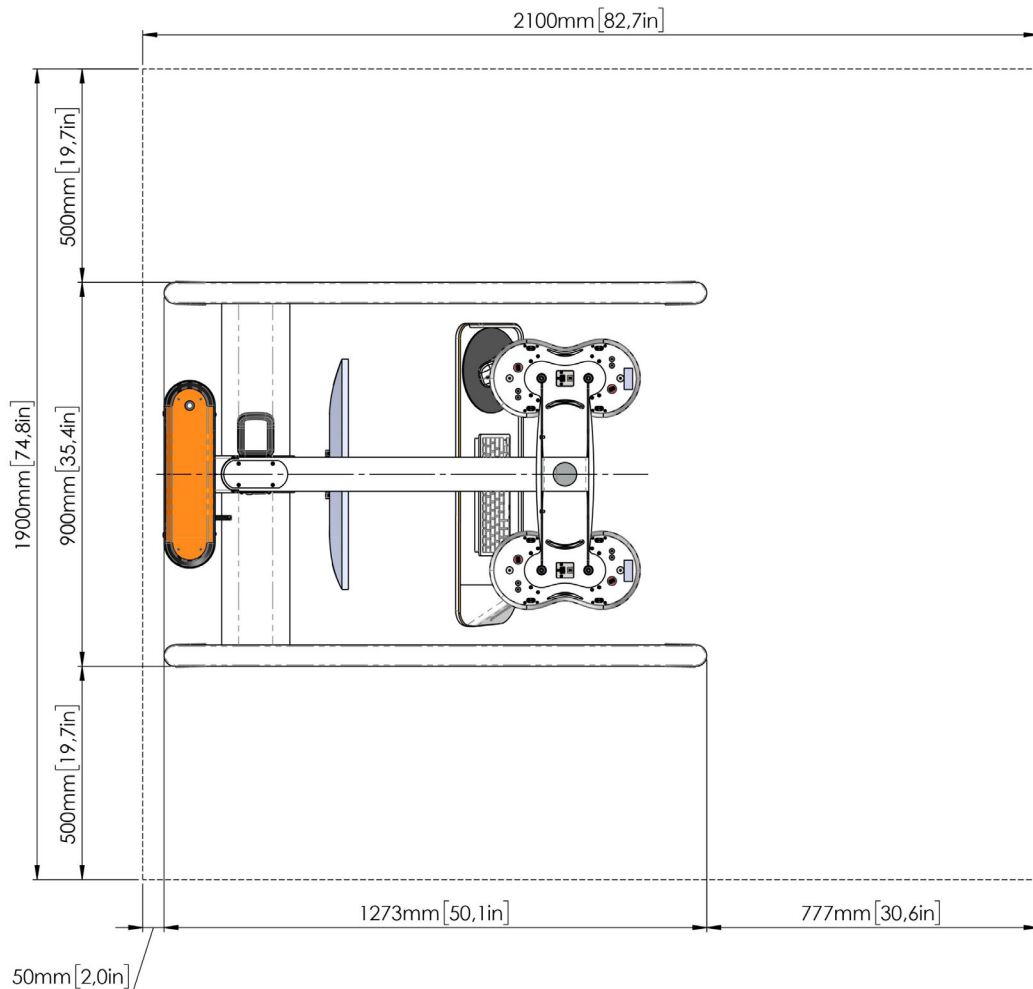
- 114 cm x 75 cm
- 1 m<sup>2</sup>

Minimum required space for patient treatment:

- 240 cm x 175 cm
- 4 m<sup>2</sup>

# DIEGO®

**tyromotion**



Required space for device:

- 127 cm x 90 cm
- 1 m<sup>2</sup>

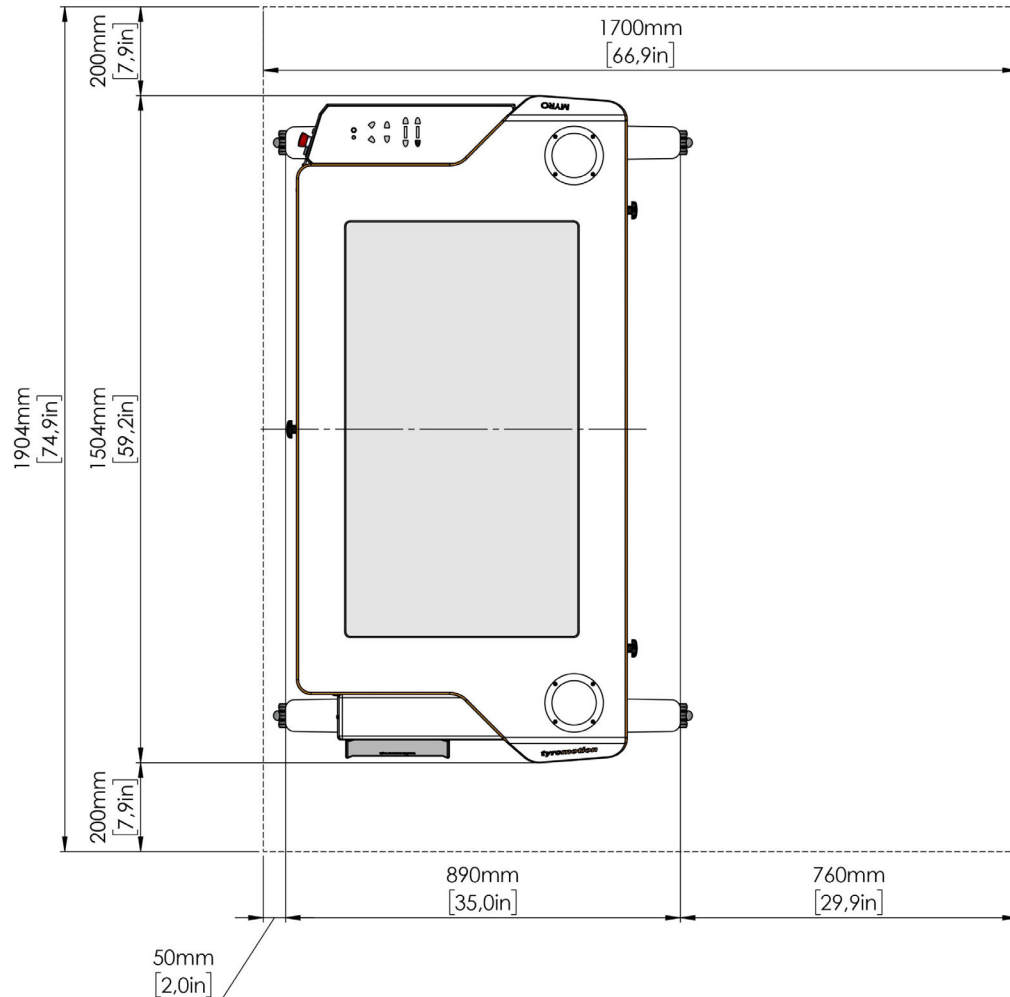
Minimum required space for patient treatment:

- 210 cm x 190 cm
- 4 m<sup>2</sup>

Required height: 241 cm (94,9 in)  
(DIEGO® height: 240,6 cm / 94,7 in)

# MYRO®

**tyromotion**



Required space for device:

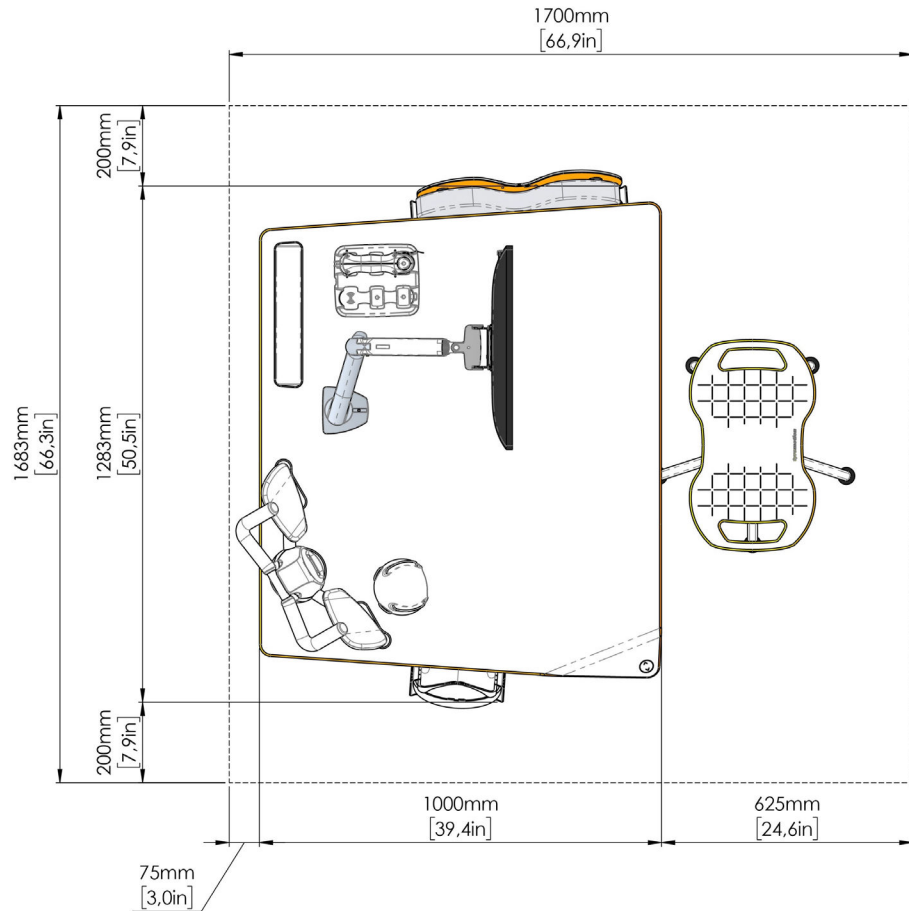
- 89 cm x 150 cm
- 1 m<sup>2</sup>

Minimum required space for patient treatment:

- 170 cm x 190 cm
- 3 m<sup>2</sup>

# TYROSTATION WITH TYMO<sup>®</sup>, PABLO<sup>®</sup> and Chair

**tyromotion**



Required space for device:

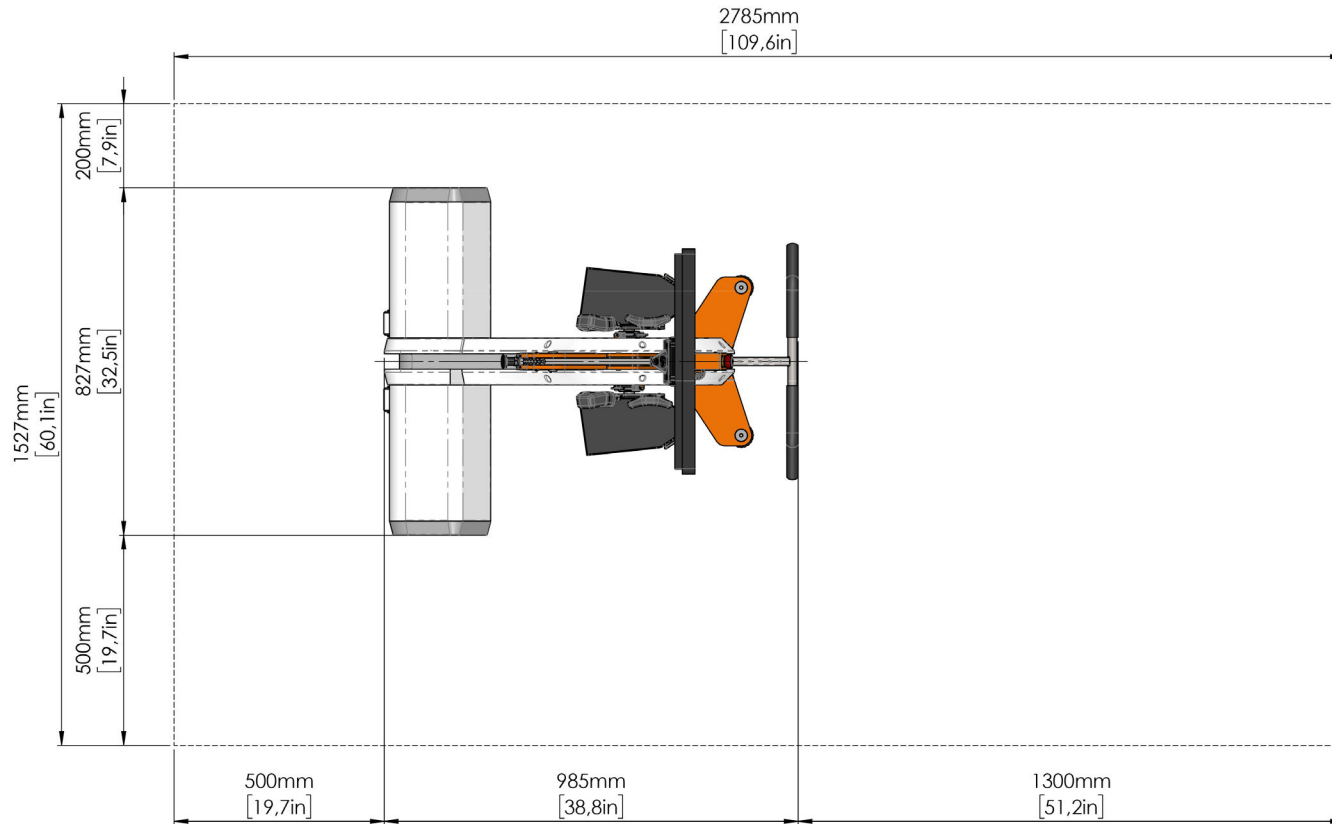
- 170 cm x 128 (Tyrostation + space + Chair/TYMO<sup>®</sup> in front)
- 2 m<sup>2</sup>

Minimum required space for patient treatment:

- 170 cm x 168 cm
- 3 m<sup>2</sup>

# OMEGO®

**tyromotion**



Required space for device:

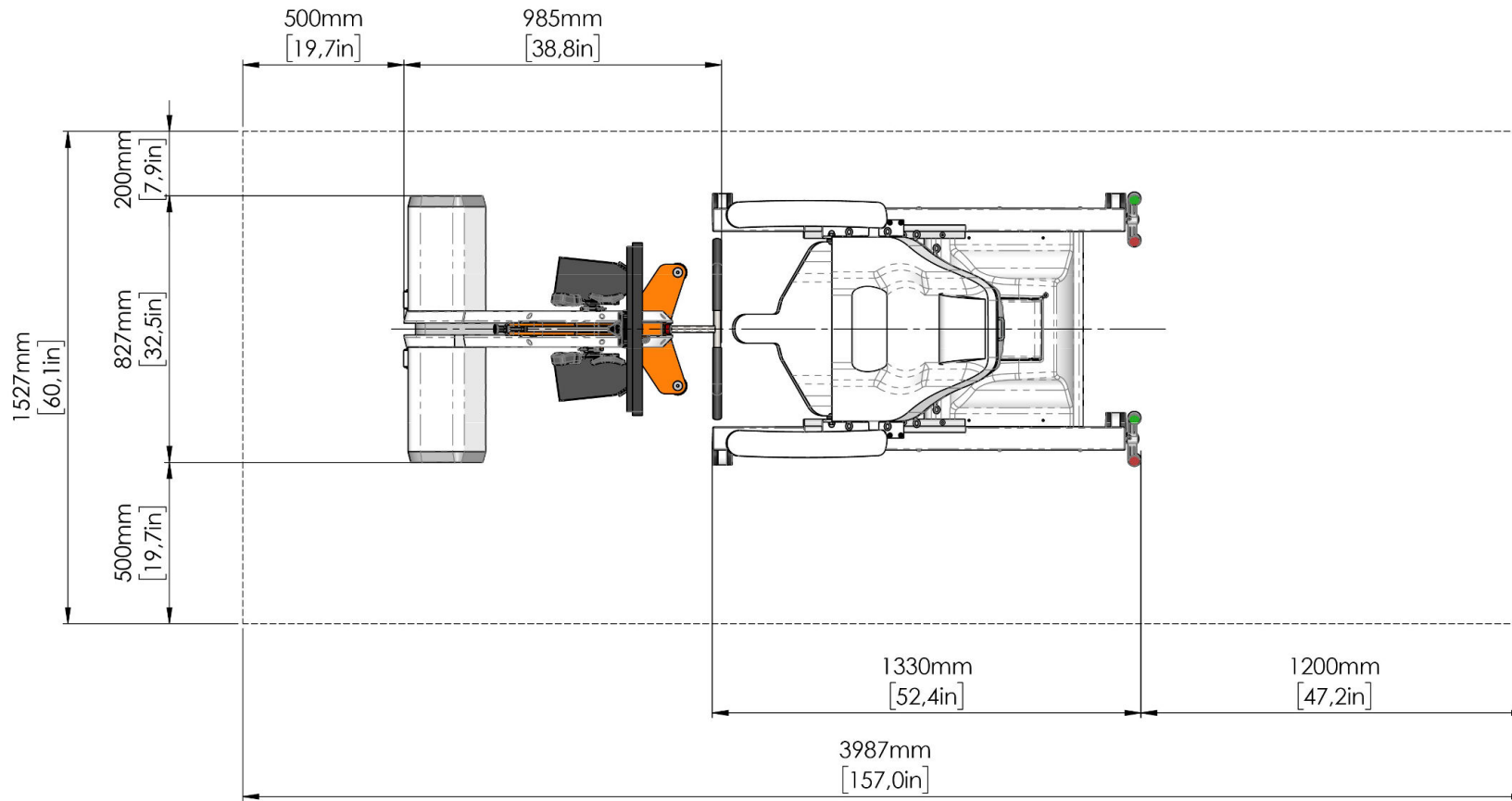
- 99 cm x 83 cm
- 1 m<sup>2</sup>

Minimum required space for patient treatment:

- 280 cm x 153 cm
- 4 m<sup>2</sup>

# OMEGO® PLUS

**tyromotion**



Required space for device:

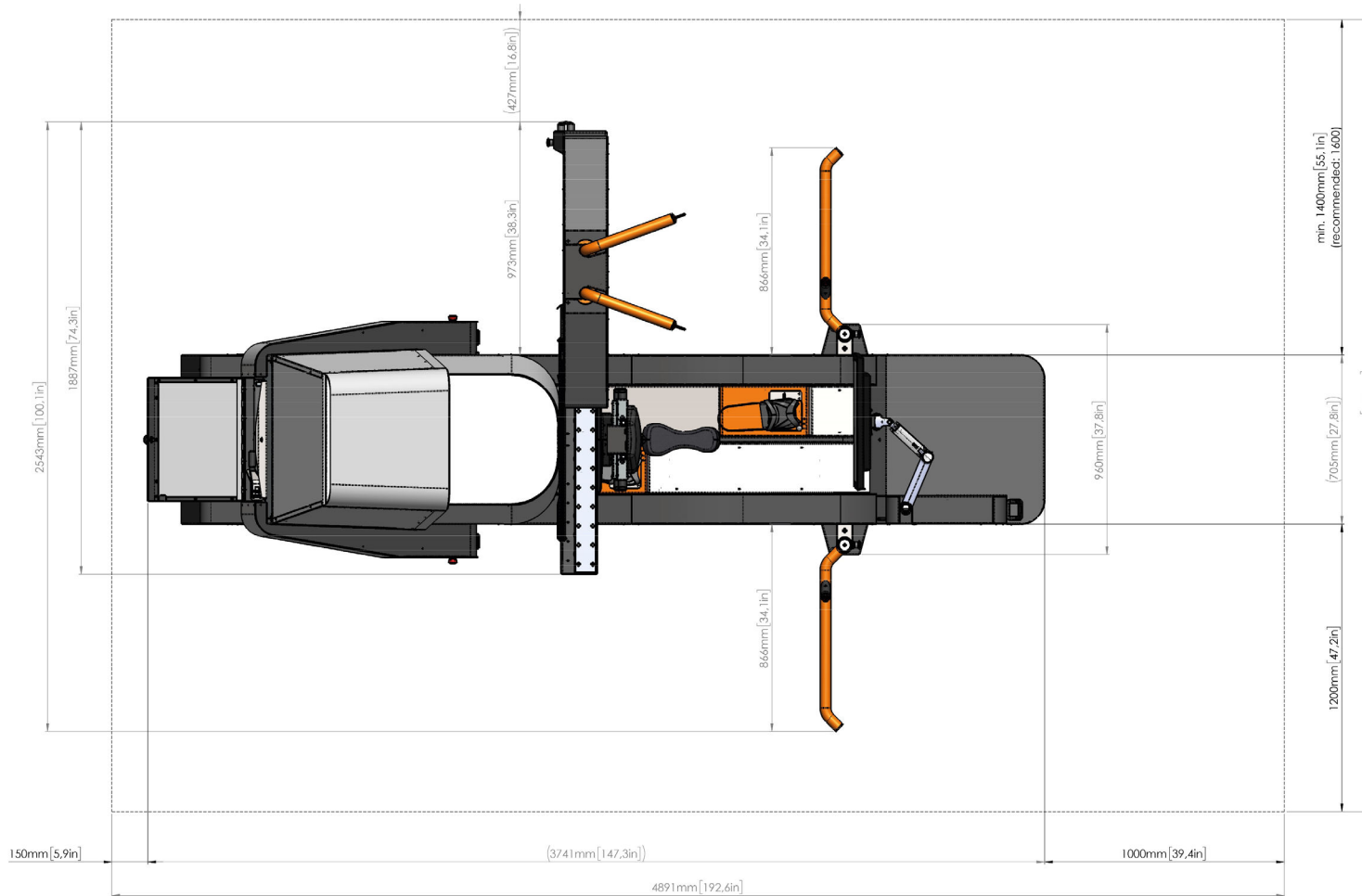
- 232 cm x 83 cm (device only)
- 2 m<sup>2</sup>

Minimum required space for patient treatment:

- 400 cm x 153 cm
- 6 m<sup>2</sup>

# LEXO®

**tyromotion**



Required space for device and patient treatment:

- 489 cm x 331 cm
- 16 m<sup>2</sup>

Required height: 240 cm (94,5 in)  
(LEXO® height: 231 cm / 90,94 in)



**tyromotion**

FOR FURTHER QUESTIONS PLEASE  
CONTACT YOUR RESPECTIVE  
AREA SALES MANAGER

---

**Tyromotion GmbH - Headquarters**

Bahnhofgürtel 59

8020 Graz, AUSTRIA

Tel: [+43 316 908 909](tel:+43316908909)

Fax: +43 316 231123 9144

Mail: [office@tyromotion.com](mailto:office@tyromotion.com)